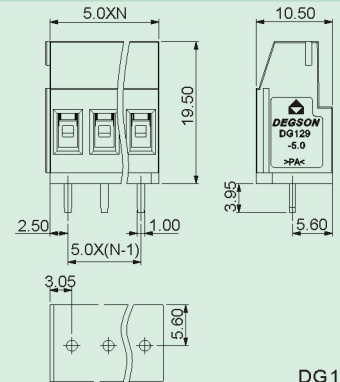
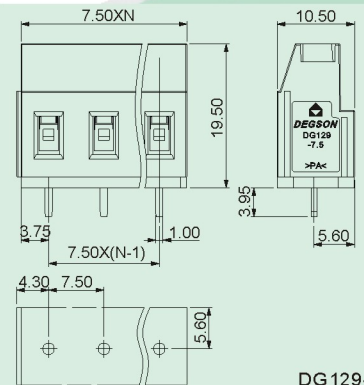


### DG129-5.0/7.5-100A

- 100A升级为双拼接，提升拼接力与稳定性。
- 100A升级螺丝结构，避免螺丝下陷风险。
- 100A upgrade to double stitching for improved stitching and stability.
- 100A upgrade screw structure, avoid the risk of screw sag.



DG129-5.0



DG129-7.5

### 技术参数 Technical data

APPROVAL: 

型号 Model	线径 Wire range (AWG/mm <sup>2</sup> )	线数 Poles	IEC60947技术参数 (IEC60947 data sheet)		UL1059技术参数 (UL1059 data sheet)	
			电压(V) Rated voltage	电流(A) Rated current	电压(V) Rated voltage	电流(A) Rated current
DG129-5.0	26-12/0.5-2.5	2-XXP	250	20	300	20
DG129-7.5	26-12/0.5-2.5	2-XXP	450	20	300	20

### 应用行业 Application

工业自动化，电源，仪器仪表，安防等行业。  
Industrial automation, power supply, instrument, security etc.



### 产品包装方式 Packing

Product model	Pcs./Pkt.
DG129-5.0	50
DG129-7.5	50

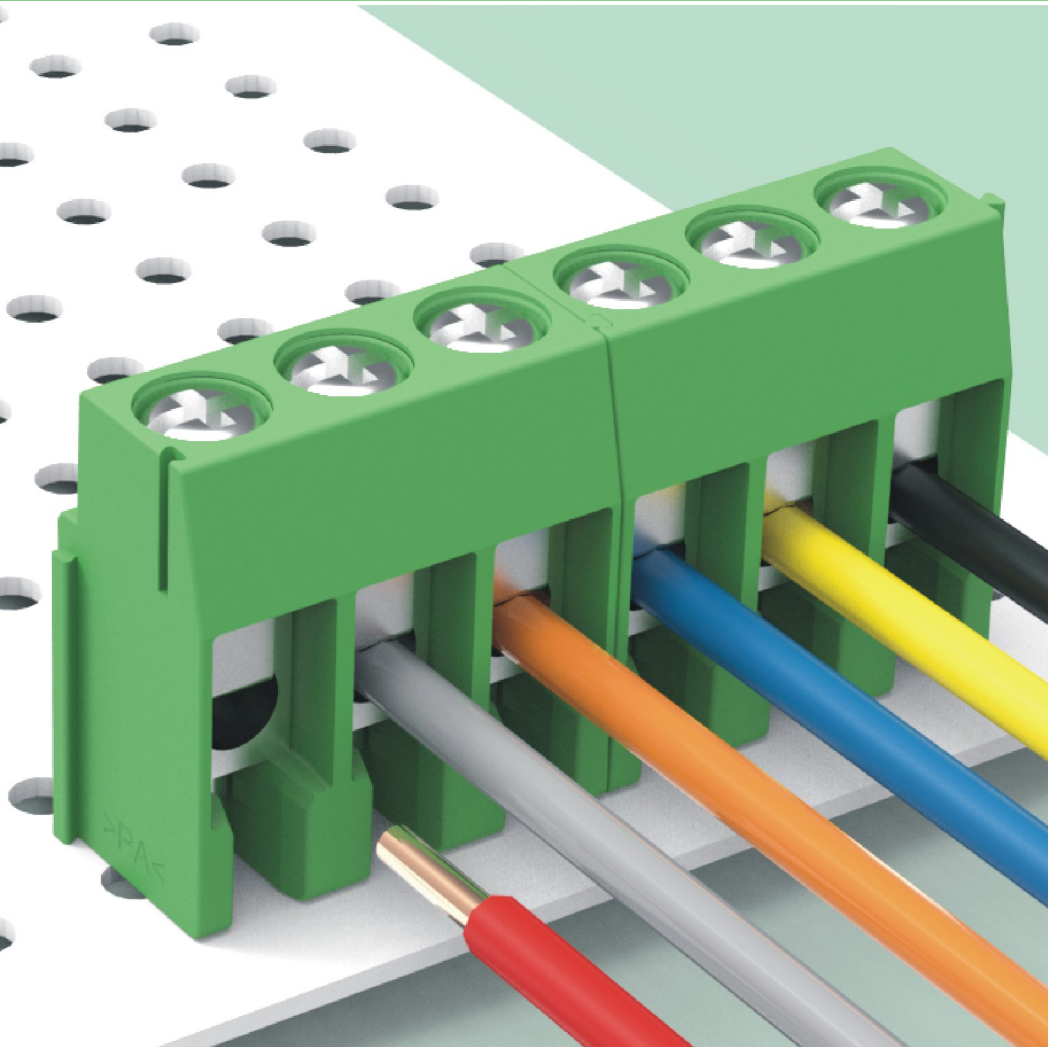
### 型号对照 Cross reference

DEGSON	同行1/Competitor1	同行2/Competitor2
DG129-5.0	-	-
DG129-7.5	-	-

### 产品订货 How to order

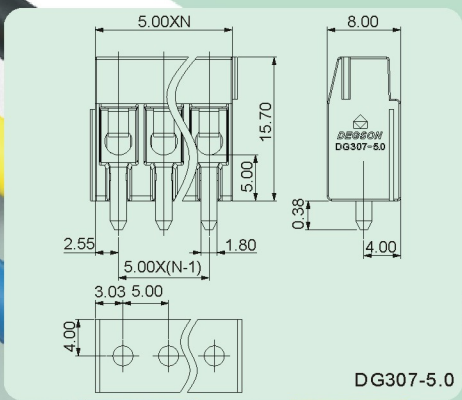
DG129-5.0	X	X	P	1	4	1 0 1 0 A(H) Standard
Series NO.	NO. of pole					
	1 Single pitch	2 Double pitch	通用色 General Color	4 Green	PANTONE 556C	DEGSON 04

DG129-7.5	X	X	P	1	4	1 0 1 0 A(H) Standard
Series NO.	NO. of pole					
	1 Single pitch	2 Double pitch	通用色 General Color	4 Green	PANTONE 556C	DEGSON 04



### DG307-5.0

- 螺钉类结构，结构紧凑，操作方便。
- 焊脚直径达到1.8mm，机械性能稳定。
- 最大线径：2.5mm<sup>2</sup>。
- Screw structure, compact design, easy operation.
- Pin diameter up to 1.8mm, stable mechanical properties.
- Max wire range: 2.5mm<sup>2</sup>.



### 技术参数 Technical data

APPROVAL: 

型号 Model	线径 Wire range (AWG/mm <sup>2</sup> )	线数 Poles	IEC60947技术参数 (IEC60947 data sheet)		UL1059技术参数 (UL1059 data sheet)	
			电压(V) Rated voltage	电流(A) Rated current	电压(V) Rated voltage	电流(A) Rated current
DG307-5.0	22-14/0.5-2.5	2-24P	250	18	300	10

### 应用行业 Application

照明，电源，仪器仪表，安防等行业。  
Lighting, power supply, instrument, security etc.



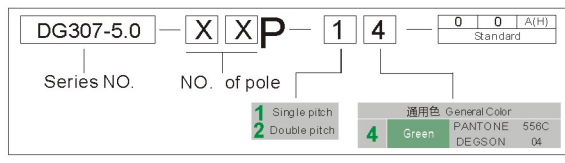
### 产品包装方式 Packing

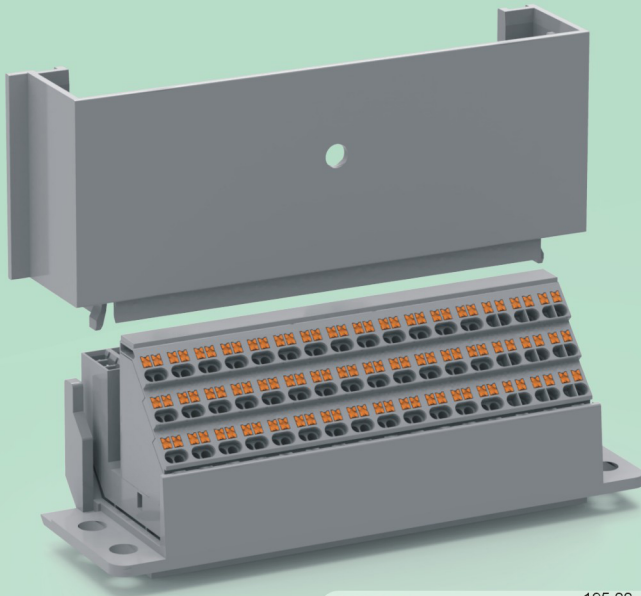
Product model	Pcs./Pkt.
DG307-5.0	50

### 型号对照 Cross reference

DEGSON	同行1/Competitor1	同行2/Competitor2
DG307-5.0	-	-

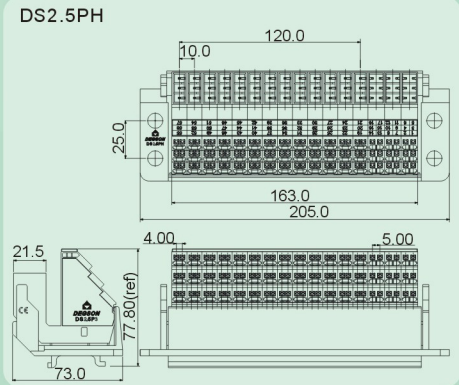
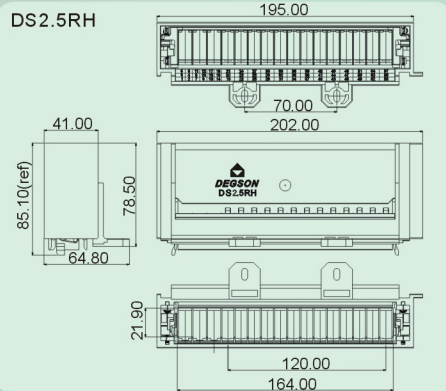
### 产品订货 How to order





### DS2.5PH/RH

- 45°进线，输入与输出90°转接，减少安装空间。
- Push-in弹片结构，快速接线，提高工作效率。
- 单极整体模块拼接。  
最大线径：2.5mm<sup>2</sup>。
- 45°input line, input and output 90°to transfer, reduce installation space.
- Push-in shrapnel structure, quick wiring, improve work efficiency.
- Single pole whole module splicing.
- Maximum diameter:2.5mm<sup>2</sup>.



### 技术参数 Technical data

APPROVAL: **CE**

型号 Model	线径 Wire range (AWG/mm <sup>2</sup> )	线数 Poles	IEC61984技术参数 (IEC61984 data sheet)		UL1059技术参数 (UL1059 data sheet)	
			电压(V) Rated voltage	电流(A) Rated current	电压(V) Rated voltage	电流(A) Rated current
DS2.5PH/RH	26-14/0.2-2.5	16P	300	13	320	20

### 应用行业 Application

电力电气等行业。  
Electric power.



### 产品包装方式 Packing

Product model	Pcs./Pkt.
DS2.5PH/RH	10

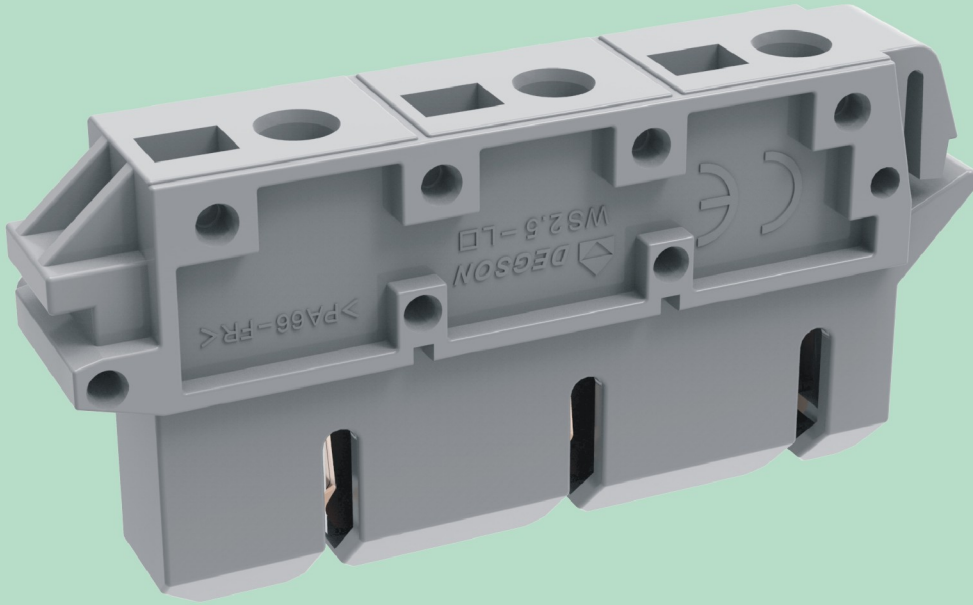
### 型号对照 Cross reference

DEGSON	同行1/Competitor1	同行2/Competitor2
DS2.5PH/RH	-	-

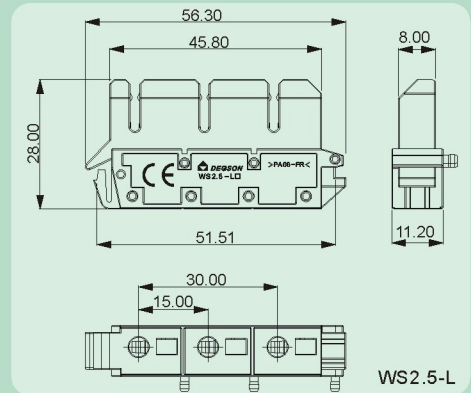
### 产品订货 How to order

DS2.5PH/RH	-	<b>1</b>	<b>6</b>	<b>P</b>	-	<b>1</b>	<b>1</b>	-	<b>0</b>	<b>0</b>	A(H)
Series NO.		NO. of pole							Standard		
		<b>1</b>	<b>2</b>						通用色 General Color		
						<b>1</b>			Grey	PANTONE	430C
									DEGSON		01

### WS2.5-L



- 笼式弹簧，接线方便。
- 与抽屉式端子相配套，可插拔。
- 软硬导线均可使用，最大线径：2.5mm<sup>2</sup>。
- L类产品带五金件，与金属固定。LG类产品不带五金件，与塑料隔板固定。
- Cage spring, convenient wiring.
- Matching with drawer type terminal, pluggable.
- Both soft and hard wires can be used, the maximum wire range: 2.5mm<sup>2</sup>.
- L products with hardware, fixed with metal, LG products do not have hardware, fixed with plastic partitions.



### 技术参数 Technical data

APPROVAL: **CE**

型号 Model	线径 Wire range (AWG/mm <sup>2</sup> )	线数 Poles	IEC60947技术参数 (IEC60947 data sheet)		UL1059技术参数 (UL1059 data sheet)	
			电压(V) Rated voltage	电流(A) Rated current	电压(V) Rated voltage	电流(A) Rated current
WS2.5-L	28-14/0.2-2.5	01P	660	24	-	-

### 应用行业 Application

电力电气等行业。  
Electric power etc.



### 产品包装方式 Packing

Product model	Pcs./Pkt.
WS2.5-L	50

### 附件 Accessory



### 型号对照 Cross reference

DEGSON	同行1/Competitor1	同行2/Competitor2
WS2.5-L	-	-

### 产品订货 How to order

WS2.5-L	-	0	1	P	-	1	1	-	0	0	A(H)
Series NO.		NO. of pole				通用色 General Color			Standard		
		1	2			1	Grey	PANTONE	43 0C	DEGSON 01	